

8.5.1 TECHNICAL DATA

MAX OPERATING PRESSURE: 320 bar

MINIMUM DIAMETER: 19 mm

CONNECTIONS: 3/4" BSP UNI/ISO 228

WORKING TEMPERATURE: -20 ÷ 100

FLUID VISCOSITY RANGE: 10 ÷ 400 cSt

RECOMMENDED VISCOSITY: 36 cSt

FLUID CONTAMINATION DEGREE:

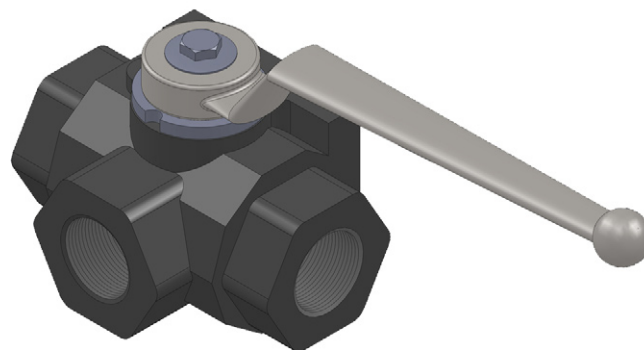
class 20/18/15 according to ISO 4406/99

BODY MATERIAL: phosphated carbon steel

BALL: in chromed thick steel

SEALS: polyacetal resin and NBR

LEVER: zinc-stamped



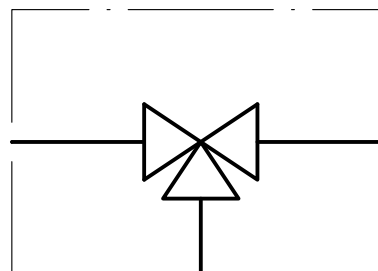
8.5a

8.5.2 DESCRIPTION

The three-way ball valve is used to mount two safety valves type VS224 and toggling the lever in a timely manner. You can also disassembly them once at a time for periodic recalibration, always having the system in safety, protected by at least one valve. In fact, the central transitory of the valve connects both valves with the system.

The ball of the valve is located between two pre-compressed seals with a floating system, so it is guaranteed a perfect seal at both low and high pressure.

8.5.4 HYDRAULIC SYMBOL



8.5b

8.5.3 ORDER CODE

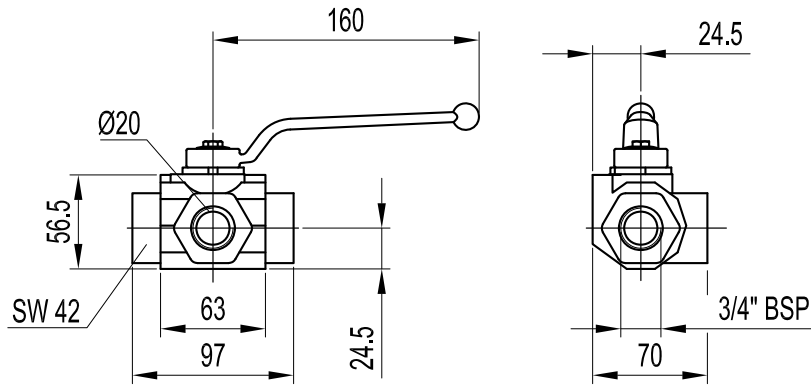
1	2	3
B2460	/	05 K

1	Series
Shut off 3-way valves gas side = B2460	

2	Size
Connection of 3/4" BSP = 5	

3	Variants
Version with padlock	= K
Plumbing of the handle in one of two positions	= PB

8.4.5 DIMENSION

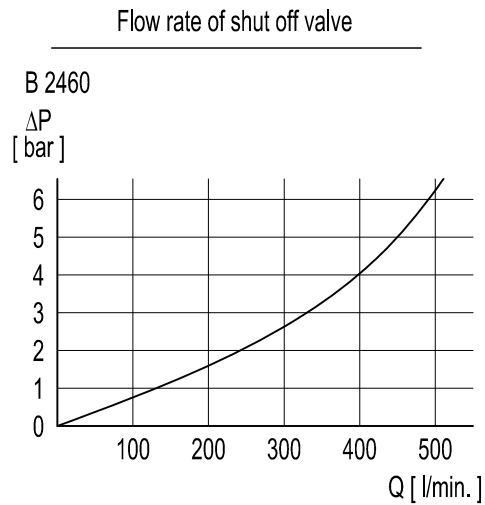


8.5c

8.5.6 CHARACTERISTIC CURVES

Measured with viscosity of 36 cSt at 50°C.

ΔP Curves



8.5d

Reproduction is forbidden.

In the spirit of continuous improvement, our products may be changed.