

8.4.1 TECHNICAL DATA

MAX OPERATING PRESSURE: 320 bar

MINIMUM DIAMETER: 19 mm

CONNECTIONS: 3/4 BSP UNI/ISO 228

WORKING TEMPERATURE: -20 ÷ 100

FLUID VISCOSITY RANGE: 10 ÷ 400 cSt

RECOMMENDED VISCOSITY: 36 cSt

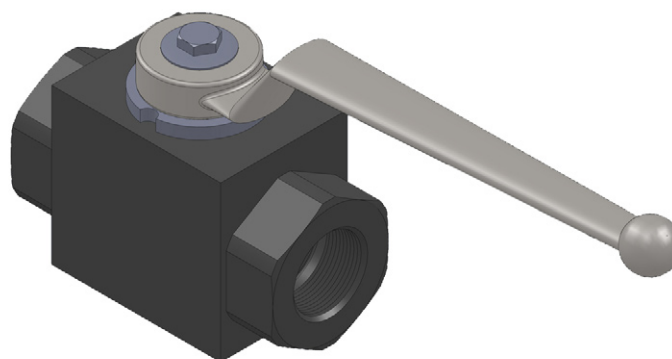
FLUID CONTAMINATION DEGREE:
class 20/18/15 according to ISO 4406/99

BODY MATERIAL: phosphated carbon steel

BALL: in chromed thick steel

SEALS: polyacetal resin and NBR

LEVER: zinc-stamped

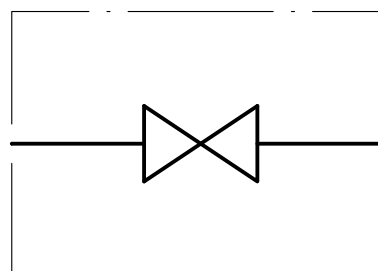


8.4a

8.4.2 DESCRIPTION

The two-way ball valve is used to detect the safety valve type VS224 and to remove it for periodic recalibration, without having to fully discharge all the nitrogen of accumulator / accumulator station. The ball of the valve is located between two pre-compressed seals provided with a floating system, so it is guaranteed a perfect seal at both low and high pressure.

8.4.4 HYDRAULIC SYMBOL



8.4b

8.4.3 ORDER CODE

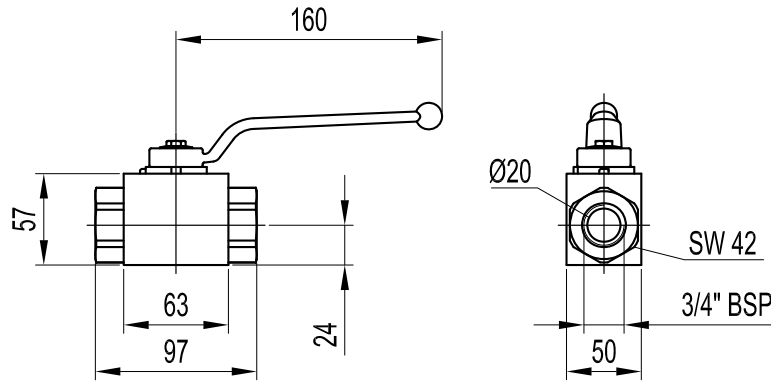
1		2	3
B2459	/	05	K

1	Series
	Shut off 2-way valves gas side = B2459

2	Size
	Connection of 3/4" BSP = 5

3	Variants
	Version with padlock = K
	Plumbing of the handle in one of two positions = PB

8.4.5 DIMENSION



8.4c

8.4.6 CHARACTERISTIC CURVES

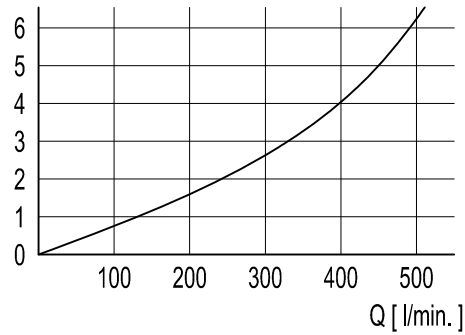
Measured with viscosity of 36 cSt at 50°C.

ΔP Curves

Flow rate of shut off valve

B 2459

ΔP
[bar]



8.4d

Reproduction is forbidden.

In the spirit of continuous improvement, our products may be changed.